

BUILT-IN PULL-OUT TRASH CANS

# Block 2.0



A range of Large and Very Large Capacity bins for separate waste collection. An extremely solid structure made of galvanized steel components painted with Epoxy powder, and Fiberglass connectors equipped with Hettich full extension soft-closing sliders. This system maximizes the available space for very large capacity solutions in standard kitchen bases and in shallow cabinets. Block 2.0 is also suitable for under sink bases.

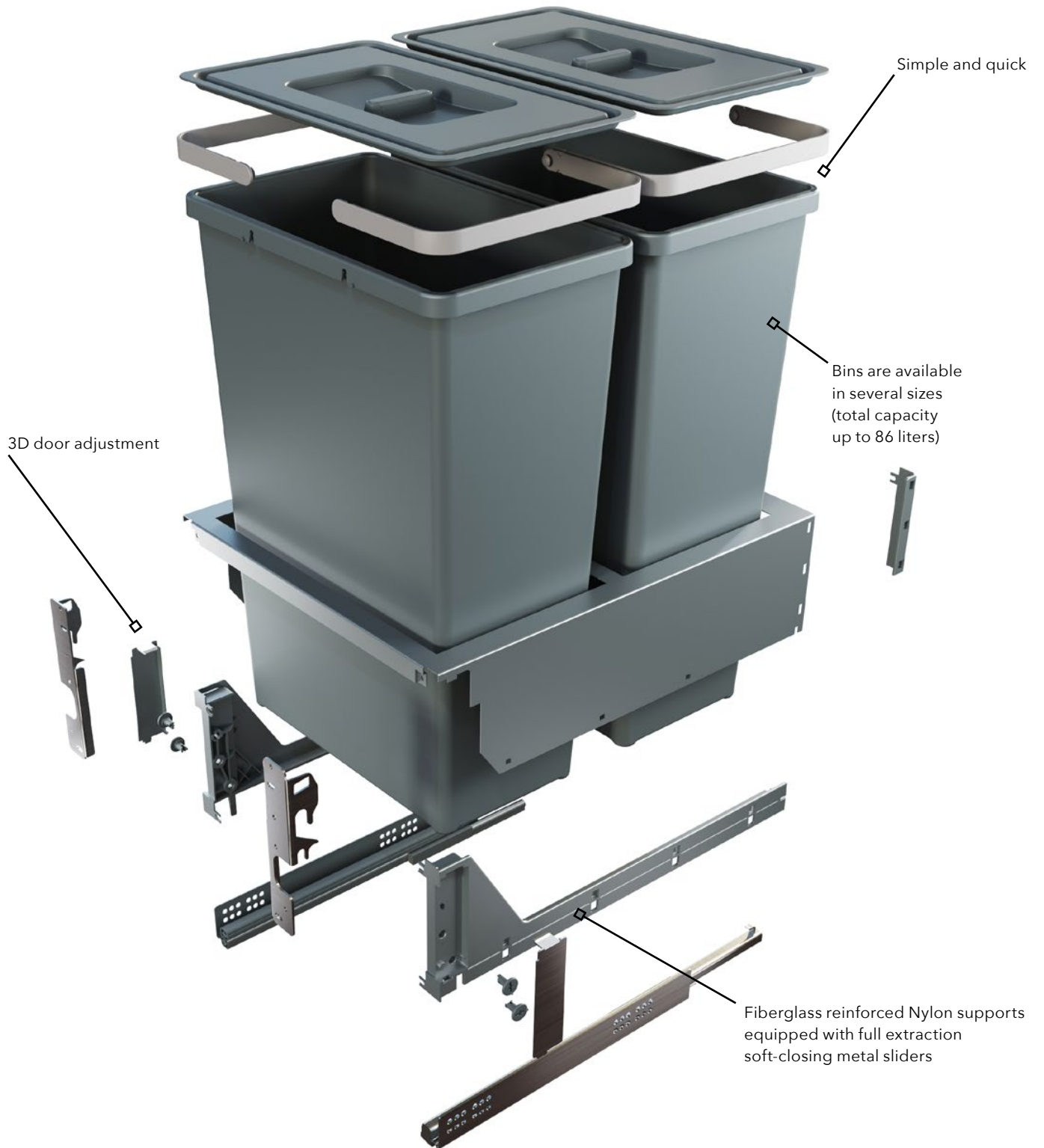
This product is designed for quick and easy installation, it has a practical 3D door adjustment system that guarantees maximum precision.

The housing space for the bins is characterized by a deep-drawn profile that strengthens the structure and makes it more attractive. The metal shelf (optional) can be used as a fixed lid or eventually as a simple shelf.

## FEATURES

- Single block structure manufactured in steel sheets painted with Epoxy powder
- Fiberglass reinforced Nylon supports equipped with Hettich V6 total extraction and soft-closing sliders
- Deep-drawn profile for container housing
- Bins are available in several sizes: 12, 35, or 86 liters (total capacity up to 86 liters)
- Compatible with 16, 18 and 19 mm panel thicknesses
- To be fixed directly on the front door
- The accessory acts as a shelf for objects or as a fixed cover
- Easy to assemble and clean
- 3D door adjustment





Manual 3D adjustment system with eccentric pins for excellent positioning and horizontal, vertical and lateral adjustment of the door to the cabinet.

Screw and serrated safety washer to fix the position and stability of the same in time.

Connection of the door to the structure using a metal bracket and 4 wood screws per side.



## Standard features



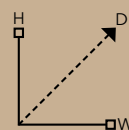
Total extraction



Soft-closing metal sliders



Regenerable filter (PBR A4760A\_AM only)



### PBR A4730A\_AM

**H:** 21 1/16" (535 mm)  
**D:** 18 13/16" (478 mm)  
**W:** 10 6/16" (263 mm)  
**Capacity (qt):** 37  
**Capacity (lt):** 35  
**Finish:**  
 Galvanized metal sheet RAL7012  
 Plastics RAL7012



### PBR C4730\_AM

**H:** 1 3/16" (30 mm)  
**D:** 18 13/16" (478 mm)  
**W:** 10 4/16" (261 mm)  
**Finish:**  
 Galvanized metal sheet RAL7012



### PBR A4745A\_AM

**H:** 21 1/16" (535 mm)  
**D:** 18 13/16" (478 mm)  
**W:** 16 4/16" (413 mm)  
**Capacity (qt):** 37+37  
**Capacity (lt):** 35+35  
**Finish:**  
 Galvanized metal sheet RAL7012  
 Plastics RAL7012



### PBR C4745\_AM

**H:** 1 3/16" (30 mm)  
**D:** 18 13/16" (478 mm)  
**W:** 16 3/16" (411 mm)  
**Finish:**  
 Galvanized metal sheet RAL7012



### PBR A4760A\_AM

**H:** 21 1/16" (535 mm)  
**D:** 18 13/16" (478 mm)  
**W:** 22 3/16" (563 mm)  
**Capacity (qt):** 37+37+8+8  
**Capacity (lt):** 35+35+8+8  
**Finish:**  
 Galvanized metal sheet RAL7012  
 Plastics RAL7012



### PBR C4760\_AM

**H:** 1 3/16" (30 mm)  
**D:** 18 13/16" (478 mm)  
**W:** 22 1/16" (561 mm)  
**Finish:**  
 Galvanized metal sheet RAL7012

