

BUILT-IN PULL-OUT TRASH CANS

Block 2.0 U-Top



A wide range of products to separate waste, allowing you to place the containers under the kitchen worktop to facilitate waste handling.

The complete system consists of a single epoxy powder painted galvanized steel structure, equipped with Hettich V6 full extension soft-closing sliders. The container setting is characterized by a deep drawn profile which reinforces the structure and gives it a "final touch". The Block U Top 2.0 makes it possible to optimize the internal space of the cabinet even in a base of 30. The lower empty part might be used with an additional drawer that can eventually contain other buckets or can be used to house any other household items, as you prefer.

FEATURES

- Structure in a single galvanized steel frame with an epoxy powder painted finish
- The side supports are made of Fiberglass reinforced Nylon and equipped with Hettich V6 full extension soft-closing sliders
- Container housing consisting of a characteristic deep-drawn profile
- Available for 30 and 40 kitchen cabinets
- Fully recyclable polypropylene containers from 6 to 15 liters
- All kits are equipped with lids and one of them has an odor-eating filter (regenerable by washing up to 50 times)
- Simple installation
- Easy to clean

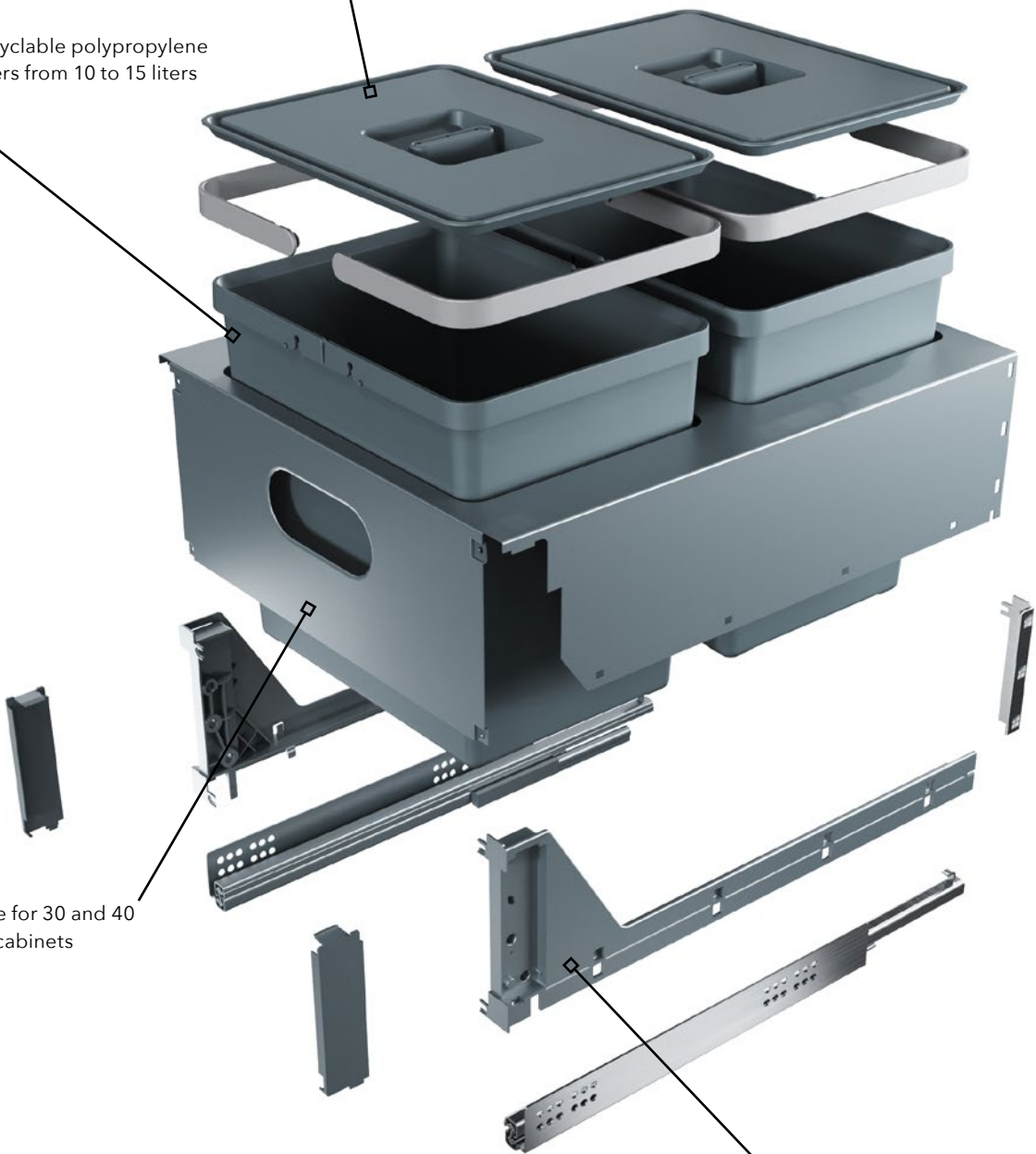


Simple installation and easy to clean

Fully recyclable polypropylene containers from 10 to 15 liters

Available for 30 and 40 kitchen cabinets

Fiberglass reinforced Nylon supports equipped with full extraction soft-closing metal sliders





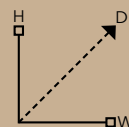
Standard features



Total extraction



Soft-closing metal sliders



PBR B4730A_AM

H: 11 4/16" (285 mm)
D: 18 13/16" (478 mm)
W: 10 6/16" (263 mm)
Capacity (qt): 11+11
Capacity (lt): 10+10

Finish:
 Galvanized metal sheet RAL7012
 Plastics RAL7012



PBR B4740A_AM

H: 11 4/16" (285 mm)
D: 18 13/16" (478 mm)
W: 14 5/16" (363 mm)
Capacity (qt): 16+16
Capacity (lt): 15+15

Finish:
 Galvanized metal sheet RAL7012
 Plastics RAL7012

